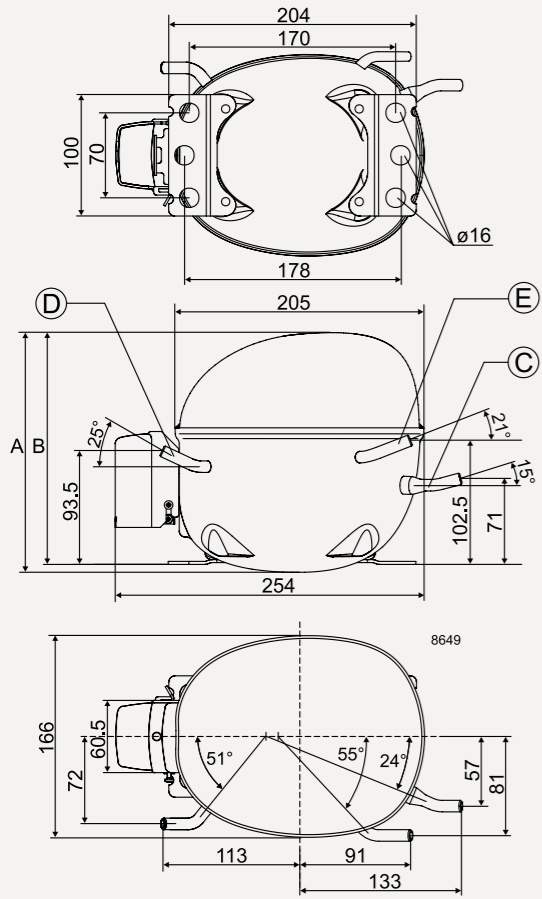
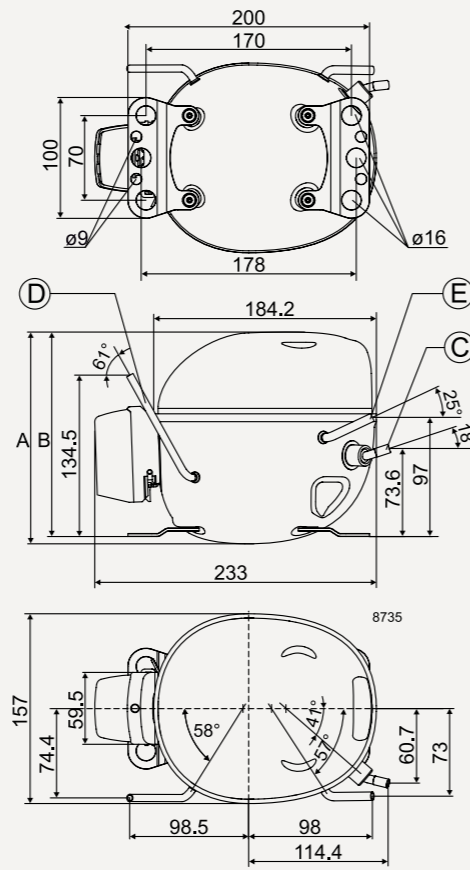


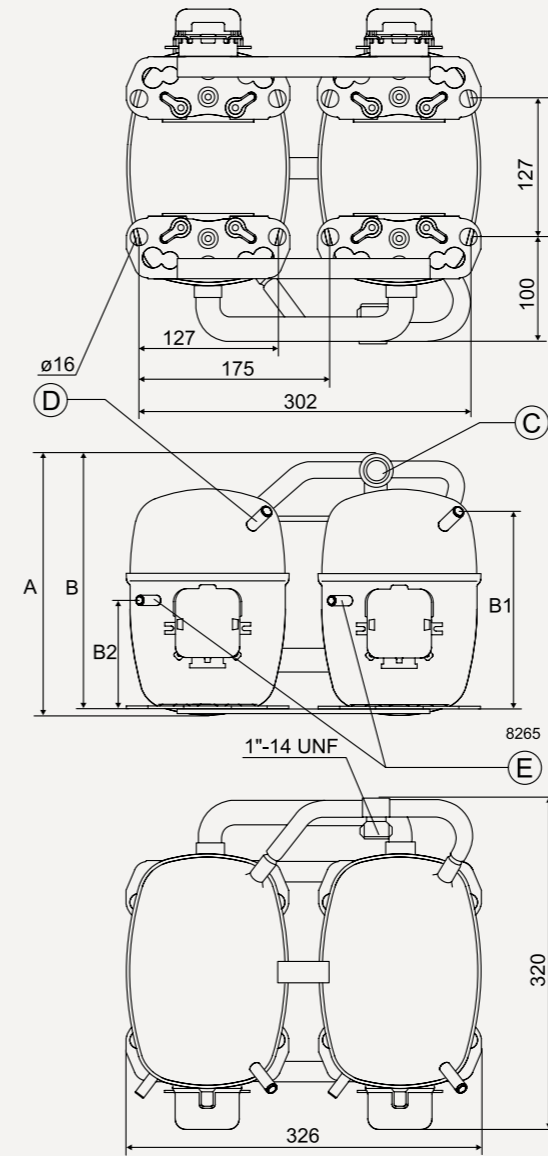
R600a: NLX / NLU



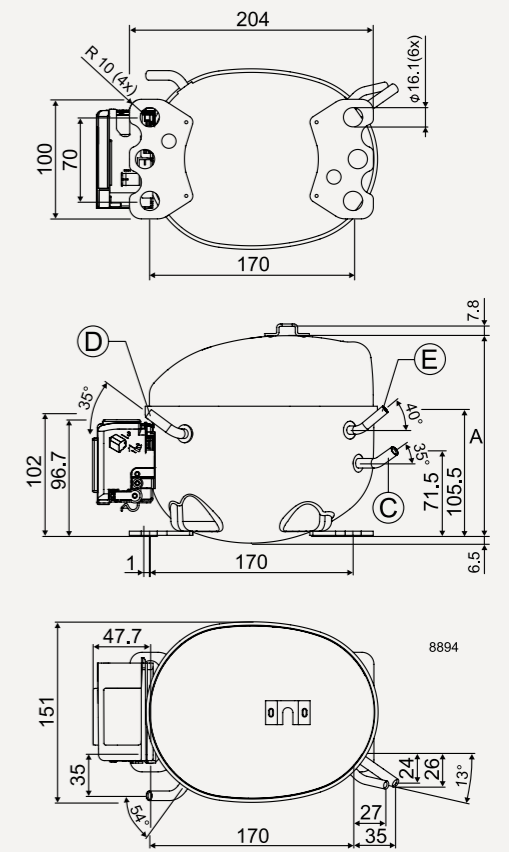
R290: DLE



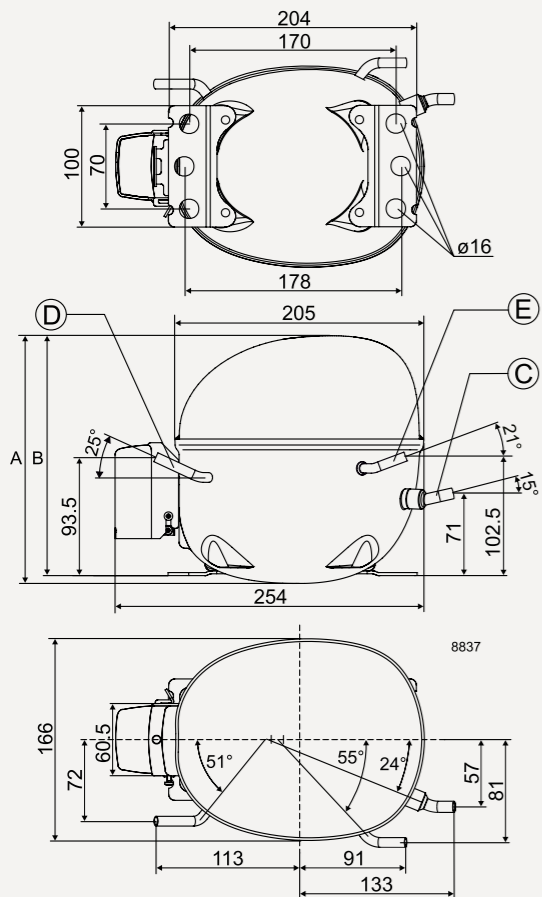
SC-Twin



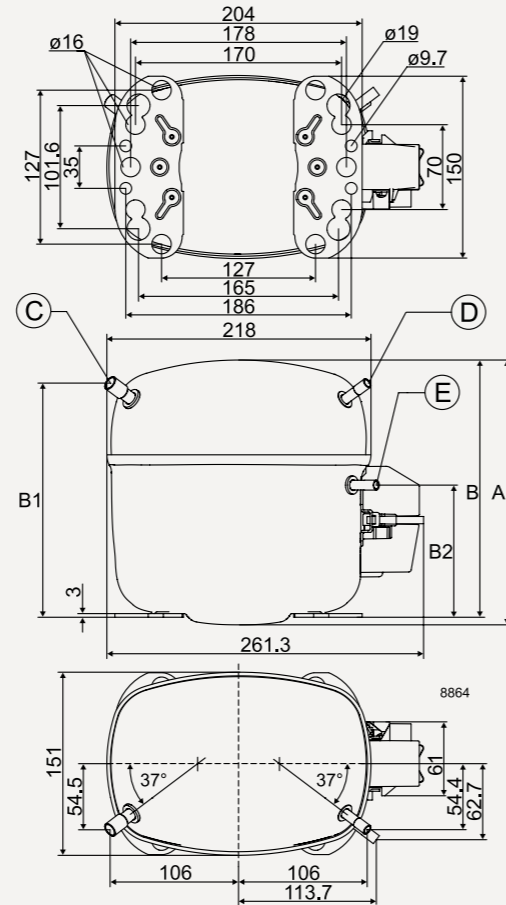
GTK / HKK / HMK / HTK / HXK / HZK (K-Series)



R290: NLE / NLU



R290: SCE



Accessories for SC Twin

- SC10/10, SC12/12 and SC15/15:**  
Service valve for 12 mm tube 118-7350  
Solder connector for 12 mm tube 104B0584
- SC18/18 and SC21/21:**  
Service valve for 16mm tube 118-7351  
Solder connector for 16mm tube 118-7405
- SC18/18 and SC21/21:**  
Seal ring for service valve and solder connector 118-3638  
Time delay relay 117N0001  
Check valve (to be used with time delay relay) 020-1014

