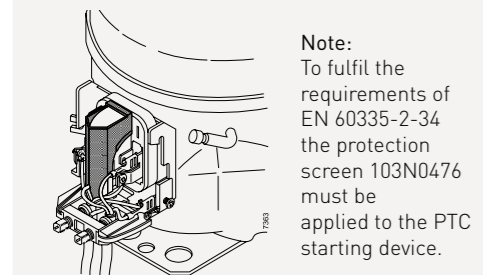


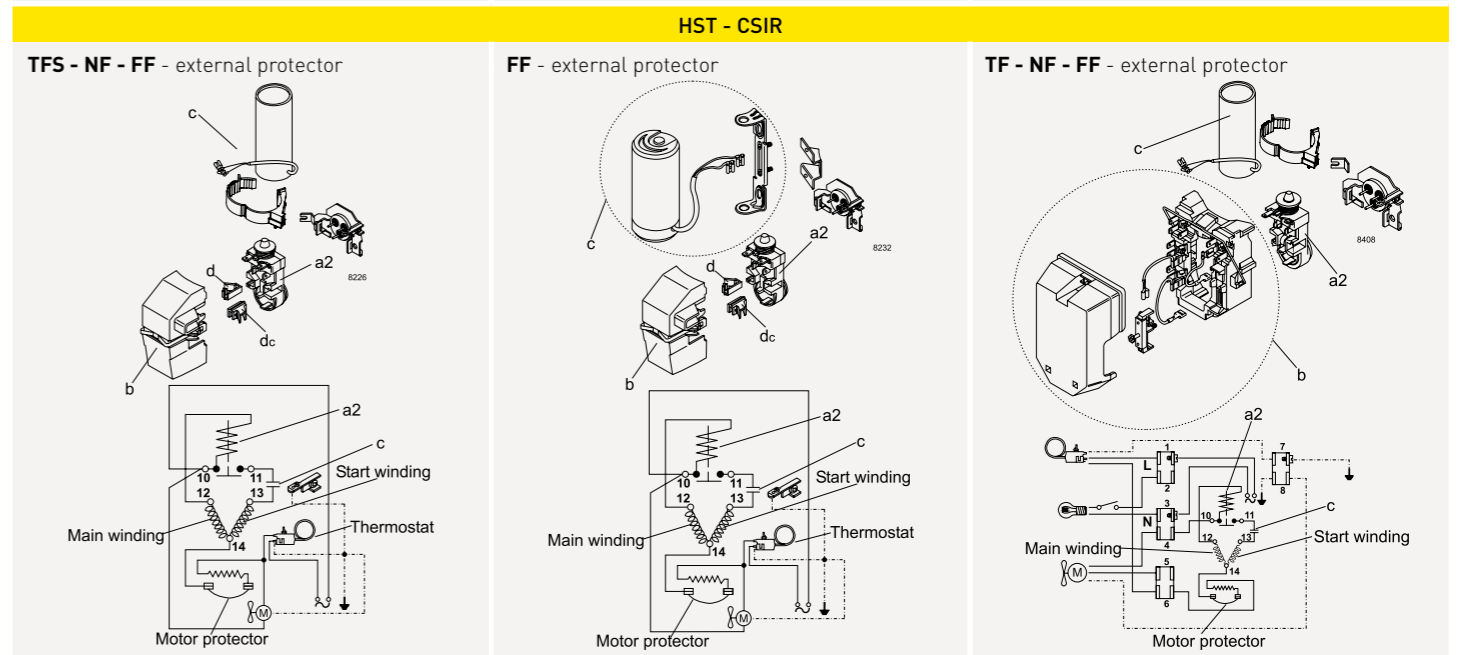
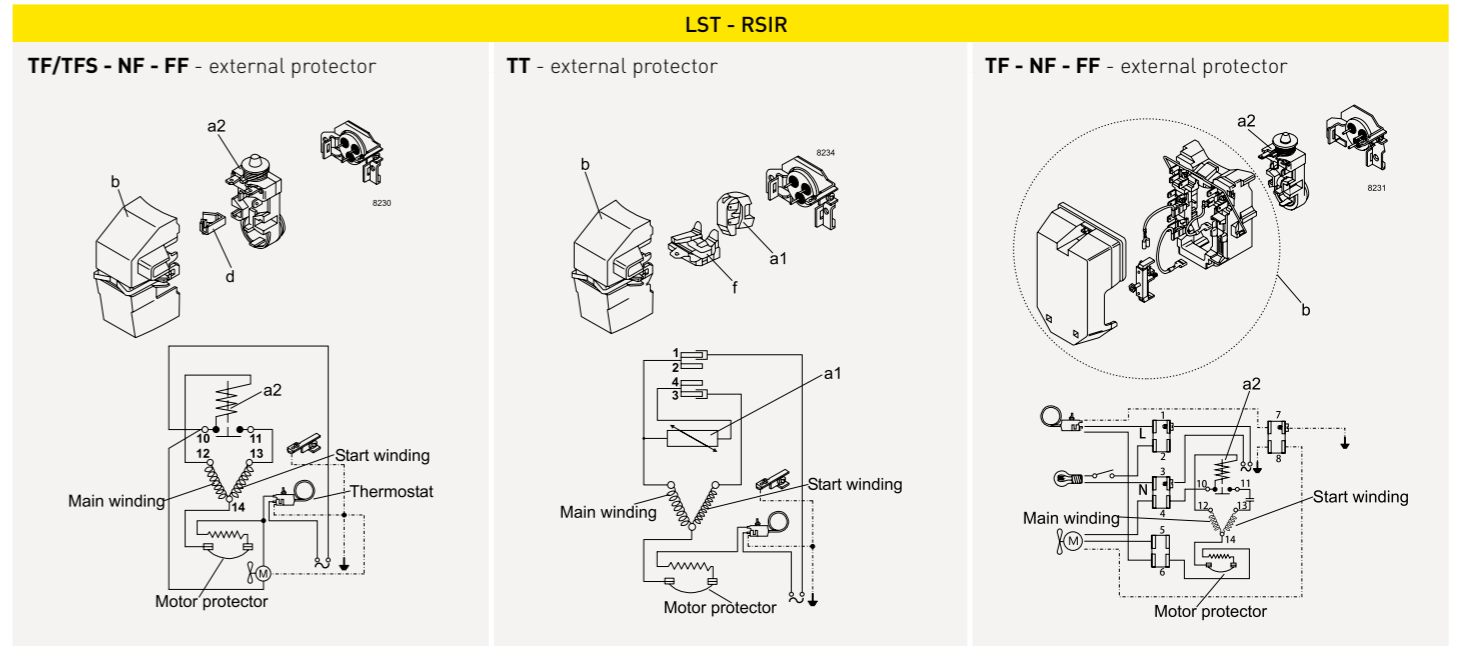
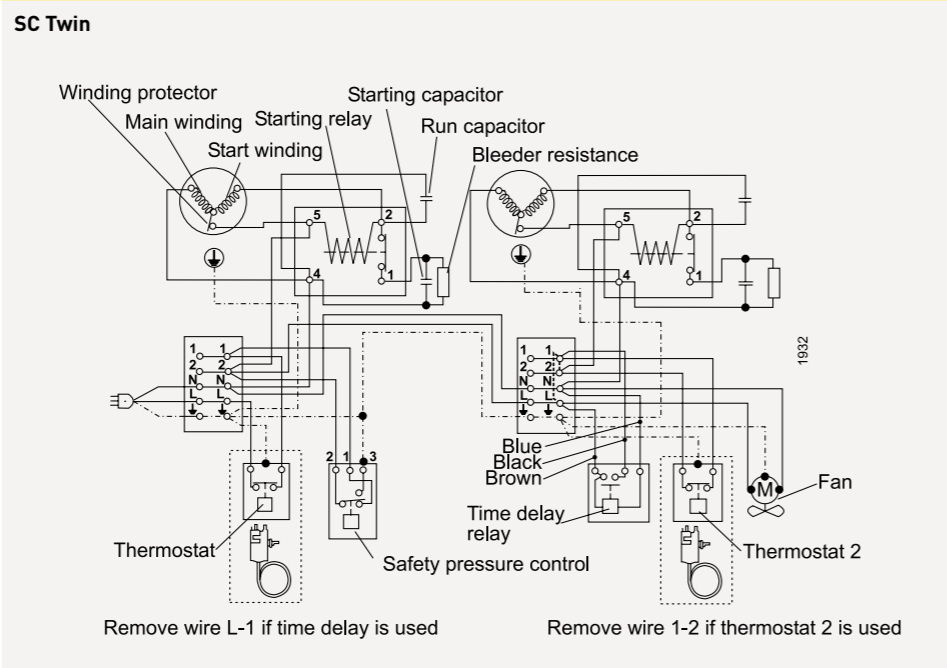
Legend

- a1: PTC or ePTC starting device
- a2: Starting relay
- a3: Starting device
- b: Cover
- b1: Clamp (part of compressor)
- b2: Gasket (part of compressor)
- c: Starting capacitor
- d: Cord relief
- e: Run capacitor
- f: Protector
- g: Protection screen for PTC
- h: Holder

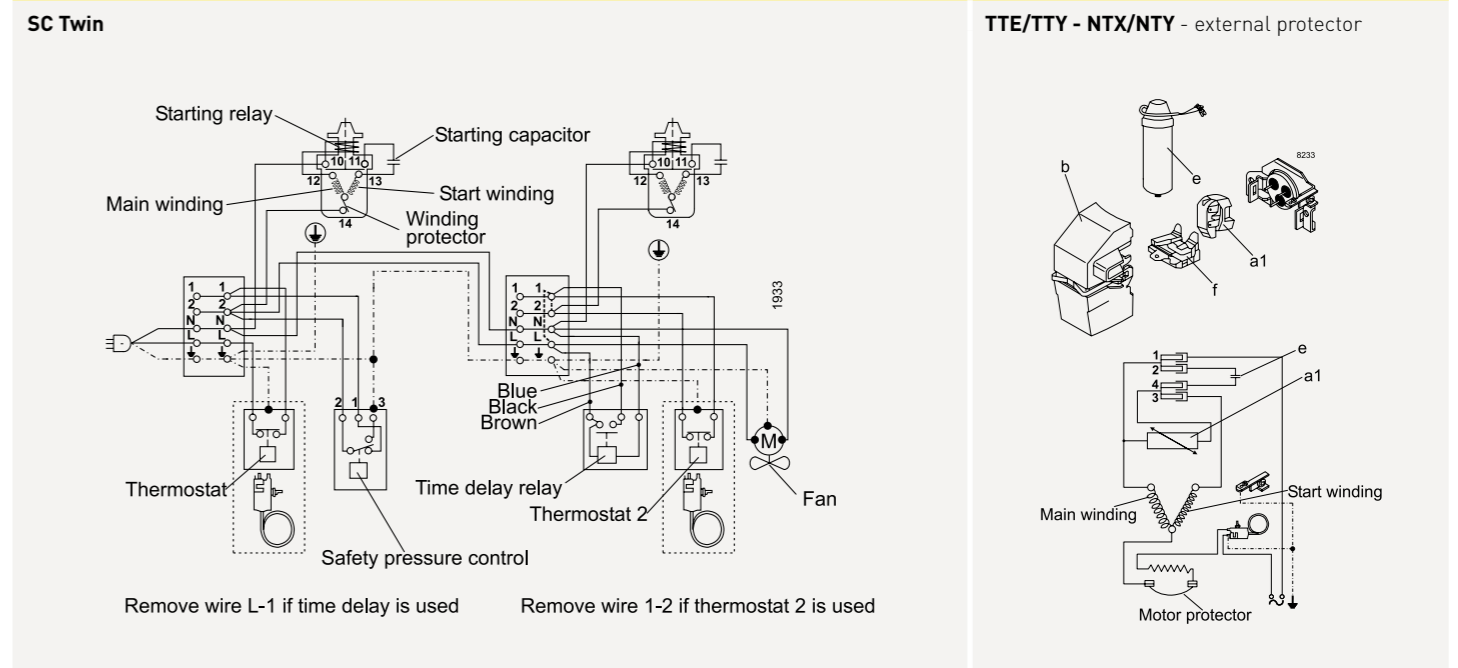
PTC protection screen



HST - CSIR



HST - CSR



LST - RSCR

