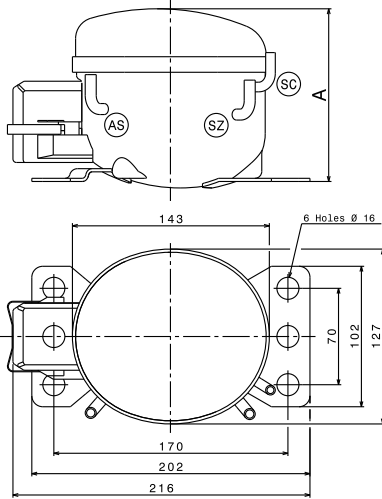


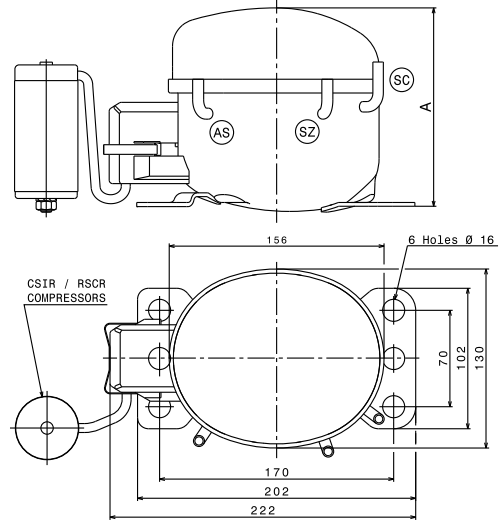
# Compressor Dimensional Drawings

## Small L range



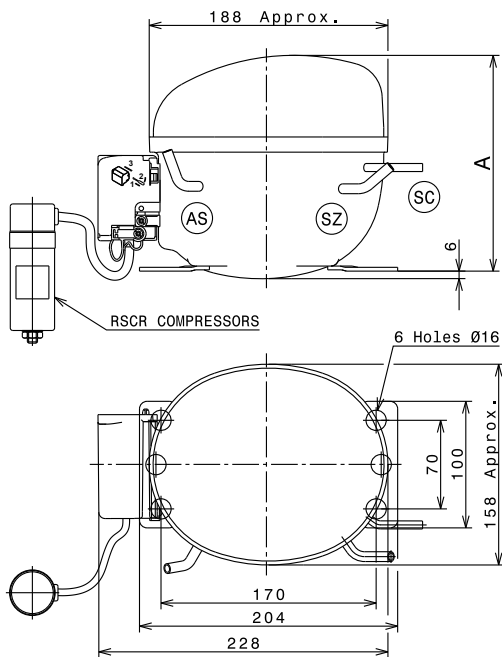
Designation	Internal diam.	SLb	A (mm)
AS	Suction	6.2	125.5
SC	Discharge	4.9	129
SZ	Service	6.2	138
		SLe	141

## B range



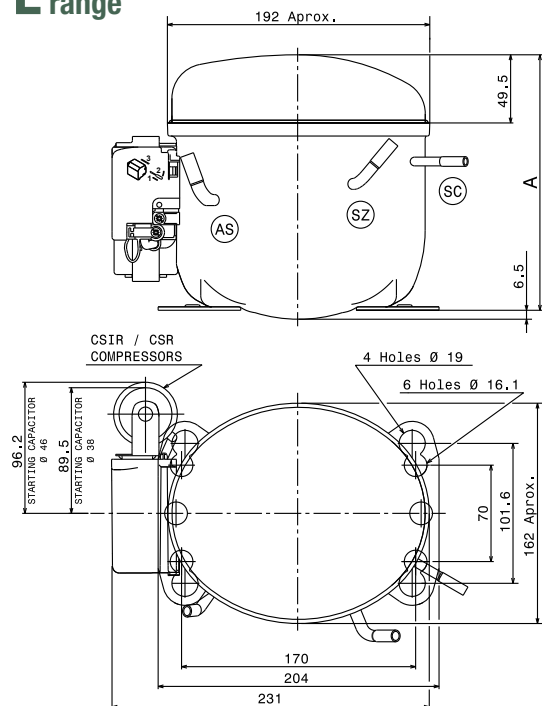
Designation	Internal diam.	Bb	A (mm)
AS	Suction	6.2	141
SC	Discharge	4.9	145
SZ	Service	6.2	153
		Be	155
		Bf	159

## U range



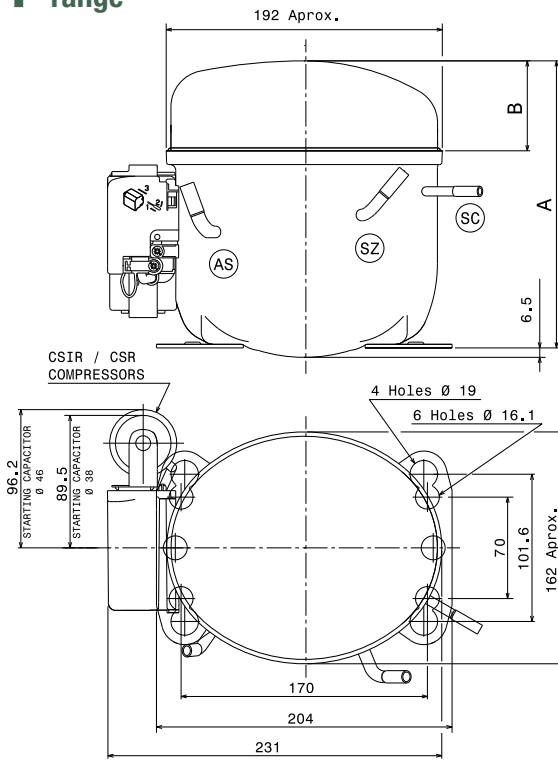
Designation	A (mm)	LEGEND
Ub	173.5	AS Suction/Service
Uc	176.5	SC Discharge
		SZ Service/Suction

## L range



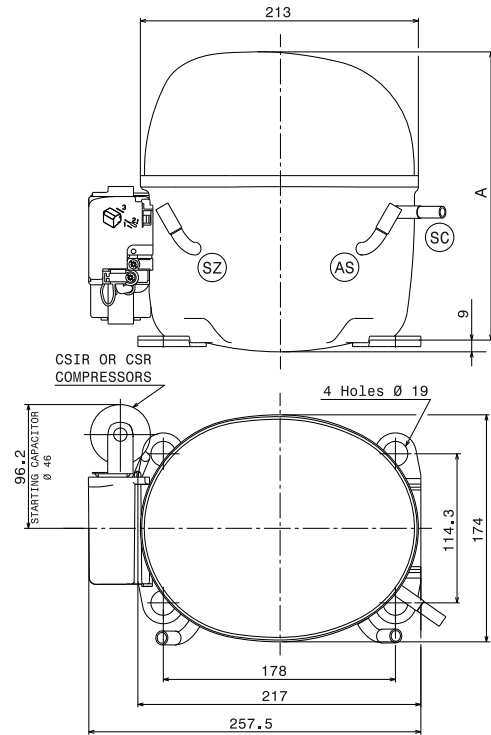
Designation	A (mm)	LEGEND
Lb	175	AS Suction/Service
Lc	185.6	SC Discharge
Ld	198	SZ Service/Suction

# P range



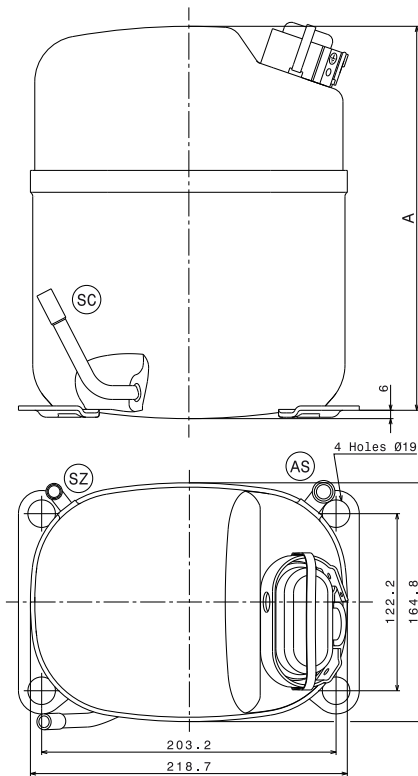
	A (mm)	B (mm)	LEGEND	
Pc	198.1	62	AS	Suction/Service
Pd	210.5	62	SC	Discharge
Pe	215.5	67	SZ	Service/Suction

# X range



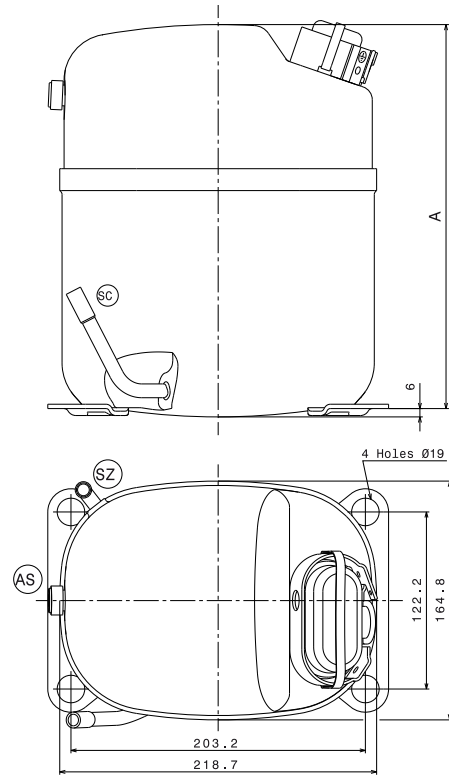
	A (mm)	LEGEND	
Xc	215	AS	Suction/Service
Xd	221	SC	Discharge
		SZ	Service/Suction

# S range (Tube)



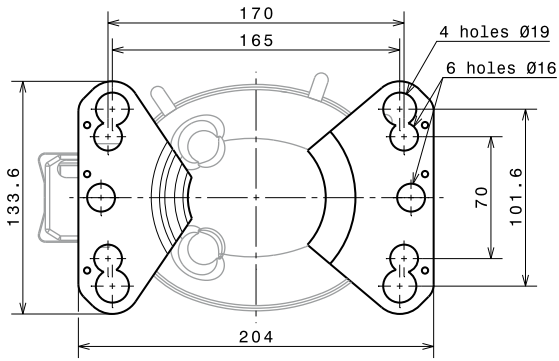
	A (mm)	LEGEND (TUBE)	
Sb	252	AS	Suction/Service
Sc	265	SC	Discharge
Sd	276	SZ	Service/Suction

# S range (Valve)

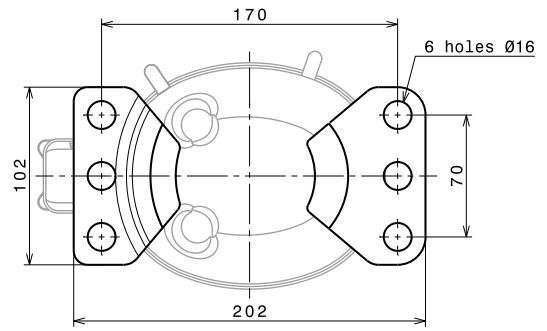


	A (mm)	LEGEND (VALVE)	
Sb	252	AS	Valve Service
Sc	265	SC	Discharge
Sd	276	SZ	Service/Suction

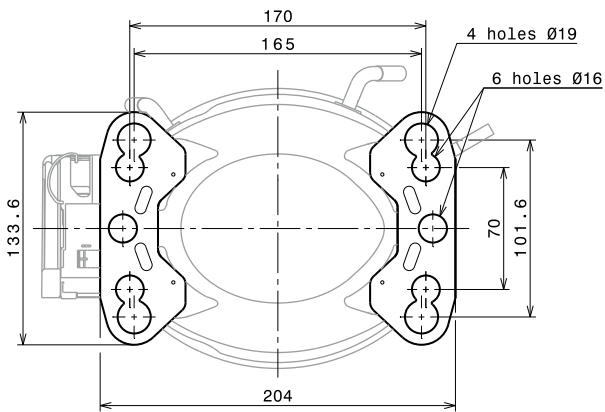
**B Range** (American mounting feet)



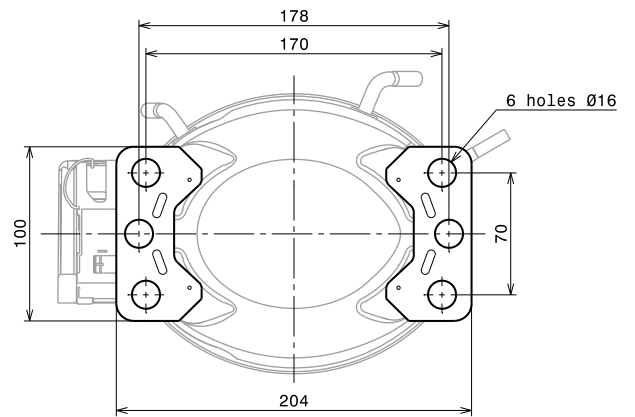
**Small L & B Range** (European mounting feet)



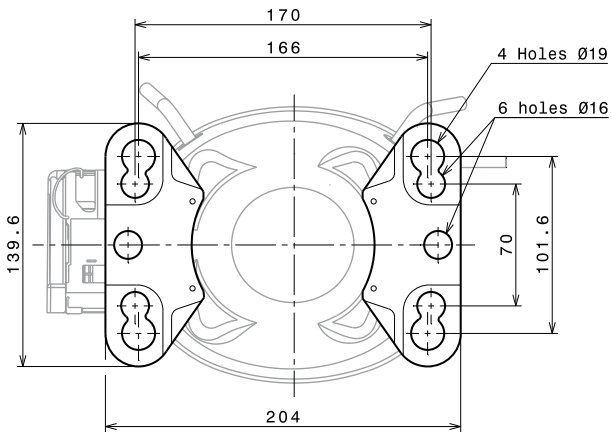
**L / P Range** (American mounting feet)



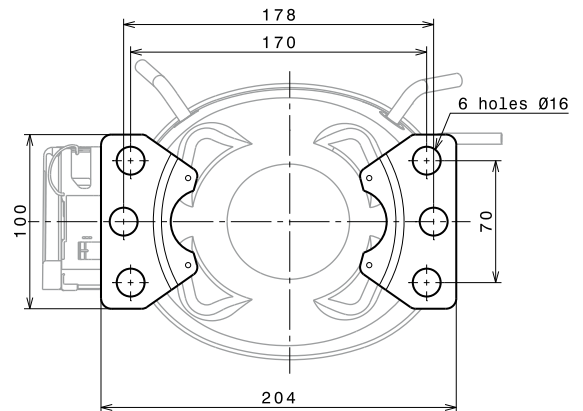
**L / P Range** (European mounting feet)



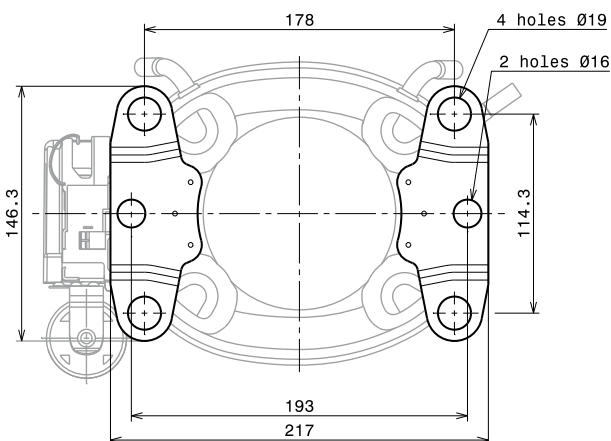
**U Range** (American mounting feet)



**U Range** (European mounting feet)



**X Range**



**S Range**

